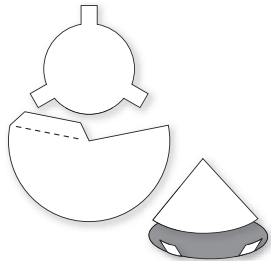
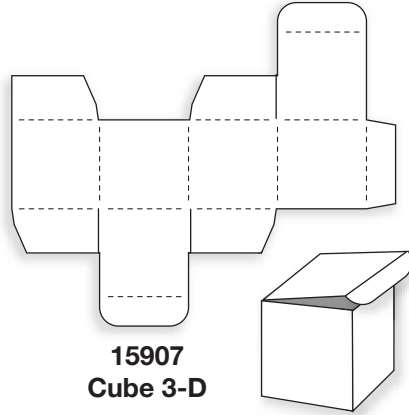


REQUIREMENTS:
 • Machine with 10" or wider opening

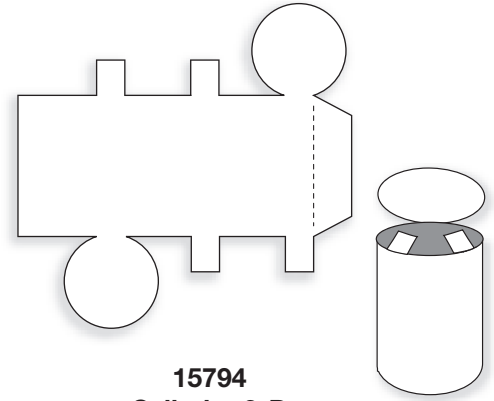
3-D Geometric Dies



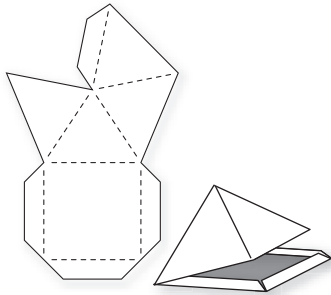
15788
Cone 3-D



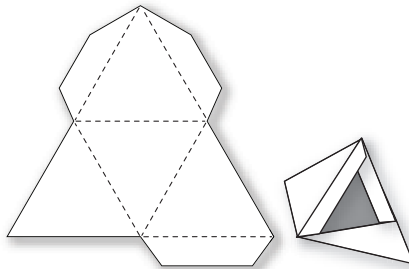
15907
Cube 3-D



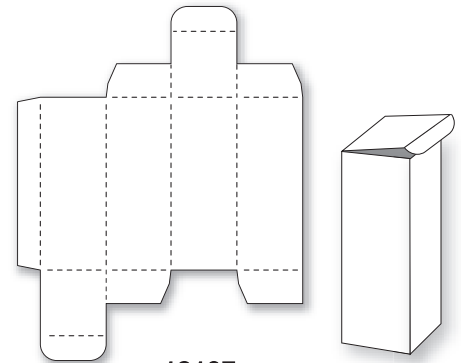
15794
Cylinder 3-D



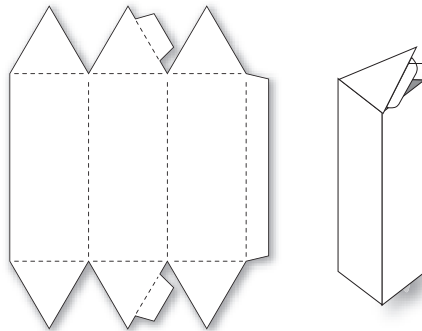
17488
Pyramid 3-D #1
(Square Base)



17489
Pyramid 3-D #2
(Triangle Base)



18107
Rectangle 3-D



18109
Prism 3-D

Die-cut Square Base Pyramid #1, Triangle Base Pyramid #2, Cylinder, Prism, Cube, Rectangle or Cone shape from cardstock or other paper. Assemble the three-dimensional shapes by folding on all the perforated lines. Secure with glue or double-sided tape where needed.

Rectangle 3-D 18107-XL