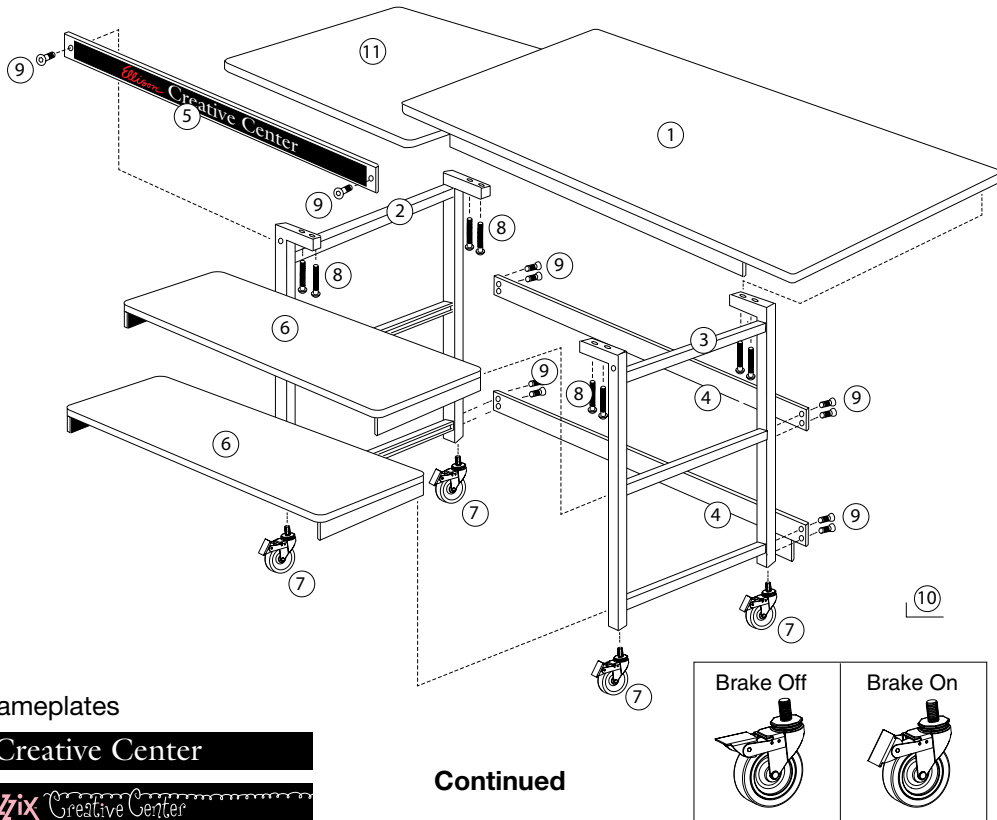


Ellison®/Sizzix® Multi-Purpose Work Station



Parts included:

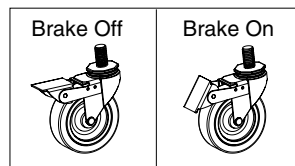
Item:	Qty:
(1) Top Assembly	1
(2) Left Leg Assembly	1
(3) Right leg Assembly	1
(4) Rear Support Brace	2
(5) Nameplate	2
(6) Middle Sliding Shelf	2
(7) Castor Wheel	4
(8) Long Screw for Leg Assembly	8
(9) Short Screw for Rear Support and Nameplate	10
(10) Allen Wrench	1
(11) Top Sliding Shelf	1



Nameplates



Continued





Ellison®/Sizzix® Multi-Purpose Work Station

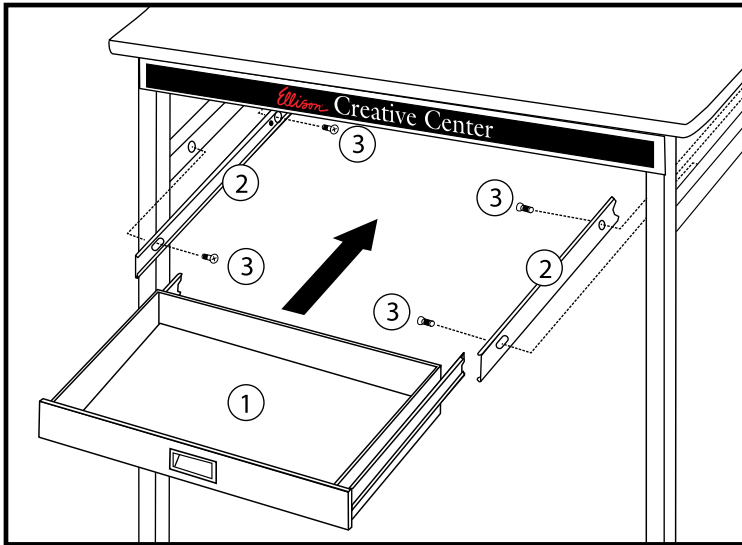
1. Place Top Assembly (Item 1) with the finished side down on a smooth, flat surface (clean cloth or staple-free cardboard).
2. Align the Left Leg Assembly (Item 2) and the Right Leg Assembly (Item 3) on their respective “L” and “R” labels on the underside of the Top Assembly. Fasten Left Leg Assembly and Right Leg Assembly with Long Screws (Item 8) using the Allen Wrench (Item 10) provided.
3. Attach one Rear Support Brace (Item 4) in the middle of the Leg Assemblies (Items 2 & 3) and one Rear Support Brace (Item 4) at the bottom of the Leg Assemblies. Use the Short Screws (Item 9) and the Allen Wrench (Item 10) provided. Do not overtighten.
4. With Castor Wheel (Item 7) brake applied (press the metal clip down), insert the screw end of the Castor into the threaded hole at the base of each Leg. Rotate clockwise, holding and using the brake clip as a wrench, until the Castor Wheel stops turning. Do not overtighten.
5. After all four Castor Wheels are secure, carefully return the Work Station to its upright position (not recommended for one person). Insert Top Sliding Shelf (Item 11) into the Top Assembly on the left side. Insert the two Middle Sliding Shelves (Item 6) into the receiving channels on the inner sides of the Leg Assemblies. Make sure the weight limit labels (Do Not Exceed 55 lbs for the Middle Sliding Shelves or 25 lbs for the Top Sliding Shelf) are in the lower right corners of the Shelves. Push the Shelves firmly until they click into their closed positions.
Note: NEVER pull out more than one Shelf at a time.
6. Attach the desired Nameplate (Item 5) to the front of the Work Station with the logo facing out, using the Short Screws (Item 9) and Allen Wrench (Item 10) provided.
7. Release all four brakes on the Castor Wheels. The Ellison Multi-Purpose Work Station is ready to use.

LIMITED WARRANTY

Ellison will repair or replace this product if, within one year of your purchase of this product, you discover a manufacturing defect and return the product to Ellison along with your written proof of purchase. All returns must be made within one year of your purchase of this product. Unless otherwise specified in writing, all such returns must be made to Ellison Educational Equipment, Inc., 25862 Commercentre Drive, Lake Forest, California 92630 USA. This warranty is expressly limited to manufacturing defects and does not include any damage or defect caused in any manner after your purchase of this product. Other than the express limited warranty set forth above, to the maximum extent permitted by applicable law, Ellison and its affiliates disclaim all express or implied warranties. NO WARRANTIES ARE MADE WITH RESPECT TO MERCHANTABILITY OR FITNESS FOR A PARTICULAR USE.

27211 Multi-Purpose Work Station w/Drawer

Ellison®/Sizzix® Multi-Purpose Work Station Drawer



Parts included:

Item:	Qty:
(1) Drawer	1
(2) Outer Drawer Slide Assembly	2
(3) .7 x 3 x 5mm Flat-Head Screw	4

Tools Required:

2.5mm Hex-Head Allen wrench (provided)

1. Align the holes in the outer Slide Assembly (Item 2) with those on the inside of the Multi-Purpose Work Station legs and attach with flat-head screws (Item 3).
2. Slide Drawer (Item 1) into the rails on the Work Station legs.

27211 Multi-Purpose Work Station w/Drawer

Ellison® Multi-Purpose Work Station Die Storage Rack

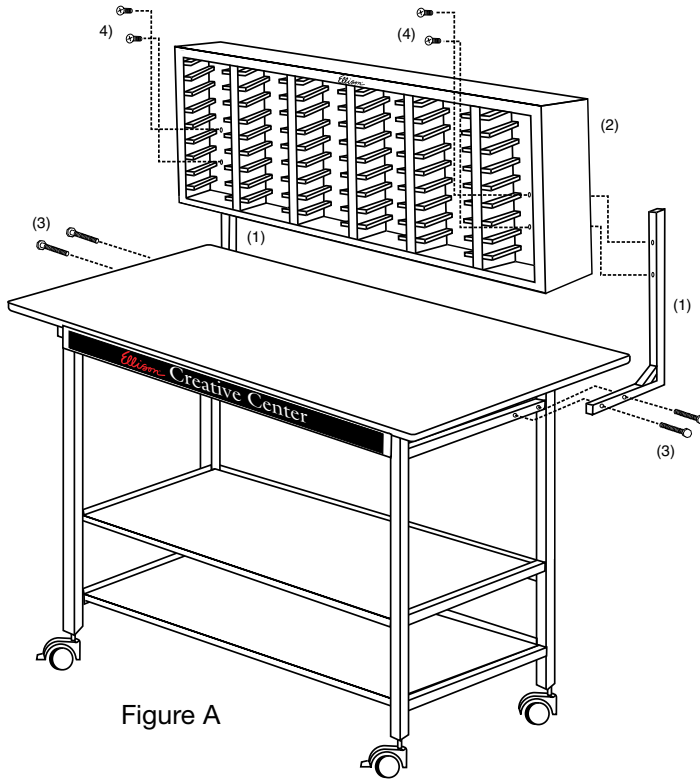


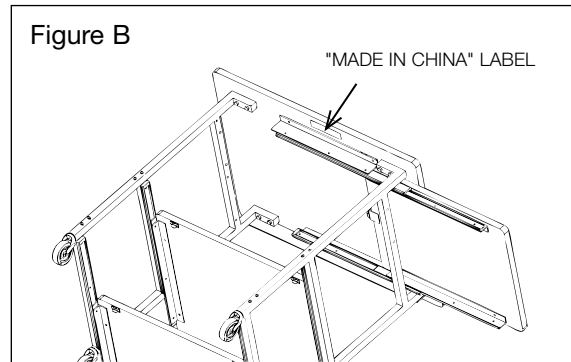
Figure A

Parts included:

Item:	Qty:
(1) Brace	2
(2) Rack	1
(3) Hex Bolts (2 sets)	4
(4) Flat Head Screws	4

Tools Required:

Wrench (Included)
 Philips Screwdriver (Not Included)



1. Remove all contents from box and place packing foam onto Ellison Multi-Purpose Work Station.
2. Place packing foam (4 pieces) in a single stack to be used as a support while aligning Rack holes.
3. Two sets of Screws for attaching Braces to Work Station are supplied (Item 3). To determine which set to use, check for a "Made in China" sticker on the underside of the Top Shelf (Figure B). If there is a "Made in China" sticker, use Metric Screws labeled "A." If there is NO sticker, use Standard Screws labeled "B."
4. Connect Braces (Item 1) to Ellison Multi-Purpose Work Station with Hex Bolts A or B (Item 3) and wrench as shown. Do not completely tighten Screws until Rack is attached.
5. Place Rack (Item 2) onto foam stack with Ellison label at top.
6. Attach Rack (Item 2) to Brace (Item 1) with Flat Head Screws (item 4). Finger tighten all 4 Screws, then tighten with screwdriver. Remove foam once Rack is secure.
7. Finish tightening Screws on Braces. Entire Rack assembly should now be secure.

11391 60 Slot Work Station Die Storage Rack